



## SIMPLE AND COST-EFFICIENT DOSING from 0.095 to 5.7 GPH (0.3 to 21.6 l/h)

### Variations on the synchronous motor theme

The Grundfos DMI range comprises several variants for general or specific dosing purposes. Dosing heads and valves are available in different materials to suit a wide range of general water treatment and industrial applications.

Although it appears to be a solenoid pump, the DMI is actually MOTOR DRIVEN. Whichever model you choose, you get a sturdy, cost-efficient pump based on a well-proven synchronous motor design. The DMI range can handle feed rates from 0.08 to 4.8 GPH (0.3 to 18 l/h) and pressures up to 232 psi (16 bar).

### Silent operation

Regardless of model, the DMI pump is among the most quiet pumps of its type available on the market today. It keeps its noise emission down to just 45 dB(A).

### Flexible installation

The Grundfos DMI is suitable for both horizontal and vertical installation. If installed horizontally, the control elements are located on the unit's top for easy access. Pump head materials include: PVC, PP, PVDF, and 316 SS.

### Gentle dosing — less maintenance

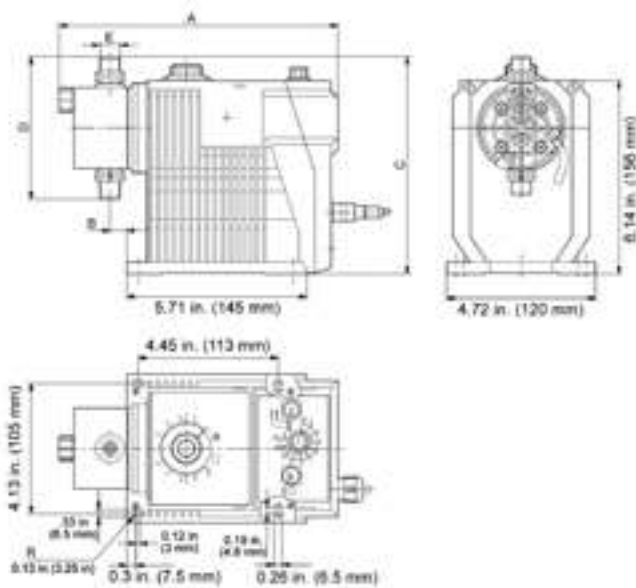
The synchronous motor technology used in the Grundfos DMI range combines accuracy and reliability. Unlike solenoid pumps, pulsation spikes are limited, reducing vibration, wear, and tear on pump and system components.

### Manual or external control

The DMI is offered in two control versions: variant B for simple manual control, or variant A which will operate manually or from an external contact generated pulse.

### Typical Applications

- Municipal and industrial water treatment
- Cleaning and disinfection, CIP
- Car washes
- Paper production and finishing
- Cooling towers
- Plating industry
- Optical technology and chip production
- Chemical industry
- Galvanic industry and surface treatment
- Mechanical and chemical engineering



**Dimensional data**

DMI Pump	A (mm)	B (mm)	C (mm)	D (mm)	E
0.3-10	8.86 (225)	0.81 (20.7)	6.91 (175.5)	4.41 (112)	G 3/8
0.8-16					
1-10					
1.1-16					
1.6-10					
3-10	8.86 (225)	0.81 (20.7)	6.91 (175.5)	4.41 (112)	G 3/8
3.6-16					
4-8					
5-6					
6-8					
9-6	9.06 (230)	1.05 (26.7)	7.26 (184.5)	5.24 (133)	G 3/8
14-4					
18-4					

NOTE: Dimensions are only for standard pump heads.

**Technical specifications**

DMI Pump	Max capacity		spm (at 60Hz)	Vstroke (cm3) 100% stroke	Maximum suction lift		Turndown ratio	Max Viscosity (cps)
	GPH (l/hr)	psi (bar)			Wet (ft)	Dry (ft)		
0.3-10	0.095 (0.36)	145 (10)	144	0.04	*	*	1:10	200
1-10	0.32 (1.2)	145 (10)		0.14	19.7	3.3		
1.6-10	0.51 (1.92)	145 (10)		0.22		4.9		
3-10	0.92 (3.5)	101.5 (7)		0.42		6.5		
4-8	1.27 (4.8)	87 (6)		0.55		7.2		
5-6	1.58 (6)	72.5 (5)	144	0.69	19.7	8.2	1:10	100
6-8	1.90 (7.2)	87 (6)		0.84		9.2		100
9-6	2.9 (11)	79.8 (5.5)		1.24		9.2		150
14-4	4.44 (16.8)	43.5 (3)		1.92		9.2		150
18-4	5.7 (21.6)	43.5 (3)		2.5		9.2		150
<b>High Pressure</b>								
0.8-16	0.25 (0.96)	232 (16)	144	0.11	19.7	3.3	1:10	200
1.1-16	0.35 (1.32)	232 (16)		0.15		3.3		
3.6-16	1.14 (4.32)	189 (13)		0.5		6.5		

\* flooded suction required

**Additional data**

Accuracy	Repeatability	< +/- 1.5% of within the control range 10-100%
	Linearity	+/- 4% within the control range 20-100%
Protection class	IP 65	
Ambient temperature range	32-104° F	
Storage temperature range	14-104° F	
Power Supply	1ø x 120V, 60Hz	

DMI 208 pumps are available with Plus3 auto-degassing, and high viscosity heads. Please contact Grundfos for technical data and dimensions.

L-DMI-SL-01 2/08 (US)  
Subject to alterations