



Hallett™

ULTRAVIOLET WATER PURIFICATION SYSTEMS

INSTRUCTION MANUAL

MODEL:
VOLTAGE:
SERIAL #:



NSF/ANSI 55 CLASS A CERTIFIED



INSTRUCTION MANUAL

Copyright UV Pure Technologies Inc. 2008

All rights reserved. No part of this document may be photocopied, reproduced, transmitted, or translated to another language without the prior written consent of UV Pure Technologies Inc.

The Hallett and Crossfire Technology are trademarks of UV Pure Technologies Inc.

Publication Number: X800058D

Fifth Edition, May 2008

1. ABOUT THE HALLETT

The Hallett is the world's only ultraviolet water purification device with patented Crossfire Technology.

Patented in US 6,707,048, Australia 2,002,333,084,
Patent Pending in Canada, Mexico, Japan, UK, Europe, & Eurasia

UV Pure's Hallett UV systems employ revolutionary Crossfire Technology that is self-cleaning, self-monitoring, and fail-safe. The [Hallett™ system](#) design with [Crossfire Technology™](#) eliminates the potential risks associated with conventional single lamp UV systems to provide Pure Safe Water. Always.™

Committed to exceeding drinking water purification standards, UV Pure's founder, Ron Hallett, turned conventional technology inside-out by running the water inside the quartz sleeve and including two lamps mounted in air, dual smart sensors, elliptical reflectors and a fail-safe solenoid valve.

Crossfire Technology is complete UV disinfection: Crossfire Technology incorporates *two* proprietary high-output UV lamps, with elliptical reflectors, that target pathogens with radiation from 360°, to deactivate pathogens and provide microbiologically safe drinking water.

Crossfire Technology is risk-free and fail-safe: Crossfire Technology uses dual smart UV sensors mounted in air, which cannot foul and are more reliable indicators of system performance. The lamps are air-cooled and maintain consistent levels of UV output for maximum pathogen deactivation. Computerized alarms, and an auto shut-off fail-safe valve are on board so you know only safe water can enter your water system. Each system is supplied with a Transient Voltage Surge Suppressor (TVSS)/Surge Protective Device (SPD) that has been certified to the UL 1449 standard by an NRTL/C and includes integral Over/Under Voltage shutoff protection.

Crossfire Technology is self-cleaning: Crossfire Technology uses a stainless steel wiper to clean the inside of the quartz sleeve eliminating quartz fouling and the need for a water softener making abrasive quartz cleaning a thing of the past – saving money and the environment.

Crossfire Technology is virtually maintenance-free: Crossfire technology utilizes two lamps mounted in air, outside the quartz sleeve so maintaining a Hallett is as easy as changing a light bulb with no system draining required. The UV lamps require replacement after 12 months of operation and notification is given via alarm one month in advance.

Crossfire Technology is easy to install: Crossfire technology employs flexible stainless steel hoses with Female Iron Pipe (FIP) connections for quick and simple installation.

NOTICE

THANK YOU

By purchasing the Hallett UV system with Crossfire Technology, you can now be 100% certain that when you turn on the tap, every drop is microbiologically safe to drink.

The Hallett outperforms conventional systems by delivering highly effective UV dosage rates for the inactivation of pathogens, including:

- viruses
- bacteria
- cryptosporidium
- giardia
- legionella
- E. coli
- Total coliforms

The Hallett 13† and Hallett 30 are NSF/ANSI Standard 55 Class A certified.

Please read the complete instruction manual before installing or operating the Hallett. Retain these instructions and the purchase receipt for the unit.

IMPORTANT

Register your system at www.uvpure.com to validate the product warranty. Failure to register your UV Pure Technologies' water purification system may void the warranty.

† The Hallett 13 NSF/ANSI Standard 55 Class A certification refers to units produced prior to 2007.

1. About the Hallett	3
2. Installation Instructions	6
Before Beginning Installation.....	6
Water Conditions - Pre-treatment Parameters.....	6
Safety Information	8
Parts Included	8
Other Materials Needed	8
Tools Needed.....	9
Location (on a wall)	9
Time Required.....	10
Assembling the Unit	12
Connecting the Pipes	13
Parallel Installation	15
Plugging in the Hallett	16
Flushing Instructions	17
External Alarm Contacts.....	17
Cold Air Kit	19
3. Operating Instructions	21
Unit Functions	21
Starting the Unit.....	22
Seasonal Use and Shutting Down of Unit	22
Disinfecting the Plumbing.....	23
4. Maintenance	24
Troubleshooting Guide	26
Replacing and Cleaning UV Lamps.....	28
Draining the Unit.....	30
Cleaning the Unit.....	31
Determining the Need for Cleaning	31
Disassembling the Unit.....	32
Cleaning/Removing the Quartz Sleeve	37
Reassembling the Unit	37
Replacement Parts.....	40
5. Service Record Sheet	42
6. UV Pure Technologies Limited Warranty.....	43
7. NSF Statement	46

2. INSTALLATION INSTRUCTIONS

Before Beginning Installation

Water Conditions - Pre-treatment Parameters

Note this section is designed to ensure the optimal performance of your Hallett system. Please review the following pre-treatment parameters prior to installation.

If any specifications are of concern or unclear please contact your water dealer or specialist. Note some of the information below is technical in nature and you may want to contact your water treatment specialist to review the parameters.

IMPORTANT - Should any of the preceding water parameters exceed the recommended limits, the system will not be serviceable under warranty.

Water Parameters for Treating Drinking Water:

The minimum water requirements for operating the Hallett system are:

- **UV Transmittance** - more than 75 percent transmission of ultraviolet light (if there is color in the water the UV transmittance may fall below 75 and the system will not provide the necessary UV dose for safe drinking water). It is recommended for all surface water applications for the water to be tested for UV transmittance.
- **Total Dissolved solids (TDS)** - must be less than or equal to 1000 mg/L (mg/L=ppm)
- **Level of turbidity** - or cloudiness - of less than or equal to 1 NTU (nephelometric turbidity unit). A 5 micron sediment filter is recommended upstream of the unit to reduce turbidity (the presence of a filter will also simplify disinfection of plumbing – see Disinfecting the Plumbing). For surface waters, a dual gradient pre-filter (75x25 or 50x5) is recommended in addition to the 5 micron filter.

Water Capacity:

Hallett 13

The water treatment range for the Hallett 13 is 0–50 liters per minute (or 0–13.3 U.S. gallons per minute), with a working pressure of 69–690 kPa (or 10–100 psig).

Hallett 30

The water treatment range for the Hallett 30 is 0–113 liters per minute (or 0–30 U.S. gallons per minute), with a working pressure of 69–690 kPa (or 10–100 psig).

The Hallett 13 and Hallett 30 include a flow regulating device that will limit the flow rate. **Warning:** Do not remove this device or water may flow through the

Released on 5/1/08 - X800058D

UV Pure Technologies Inc. © 2008

No part of this document may be photocopied, reproduced, transmitted, or translated to another language without the prior written consent of UV Pure Technologies Inc.

For additional info call 1-888-407-9997 or email info@uvpure.com or visit www.uvpure.com

system at a rate that exceeds the certified performance and the system may not provide the necessary UV dose to remove all pathogens.

Temperature Requirements:

Where the unit is installed, the ambient temperature should be between 7–38°C (45–100°F). If the temperature drops below freezing, drain the unit completely to prevent damage (see Draining Instructions page 26). The water temperature range is 1–38°C (34–100°F). **Special Note:** Drafts or areas where cold air is blowing on the system can adversely affect the temperature – make sure the system is free from cold air currents). If cold room conditions cannot be avoided, the Cold Air Kit should be installed.

Energy Requirements:

There are two standard operating voltages for the Hallett unit. The unit may be 120Vac or 220-240 Vac. Please refer to the power input label located near the power cord entry of the unit. See Figure 1B. For convenience the front cover of the manual should also contain model number and operating voltage.

120Vac Models

Hallett 13 – 104W, 1.5A max. 50/60Hz

Hallett 30 - 173W, 1.5A max. 50/60Hz

220-240Vac Model

Hallett 13 -108W, 1A max. 50/60Hz

Hallett 30 -177W, 1A max. 50/60Hz

Installation of a Transient Voltage Surge Suppressor (TVSS)/Surge Protective Device (SPD), supplied, that has been certified to the UL 1449 standard by an NRTL/C and includes integral Over/Under Voltage shutoff protection is required.

UV Pure Technologies' UV water purification system models are designed to operate within normal power grid specifications (voltages and frequencies), worldwide. However power spikes, surges and brownouts are a common occurrence in all countries. When that happens, line voltages may fluctuate outside the systems' operating specifications.

Installation of a UL 1449 certified TVSS/SPD between the systems and the power source will increase the ability of the system to survive transient events on the AC power. This will help to ensure uninterrupted water treatment and reduce the risk of costly repairs due to damage from power spikes, surges and brownouts which are NOT COVERED BY UV PURE TECHNOLOGIES' Limited Warranty.

The Surge Suppressor must be connected to a standard grounded electrical outlet.

Safety Information



WARNING: Potential Shock Hazard

Use only a grounded electrical outlet when connecting the unit to a power source. If you do not know whether the outlet is grounded, check with a qualified electrician. Do not plug in unit if water is present on the unit.



WARNING: Ultraviolet Light Hazard

The lamps in the unit emit ultraviolet (UV) light that can cause permanent damage to the skin & eyes. **Never look at the lamp when it is operating.** Do not plug the unit in unless it is properly secured to a wall (see Installation Instructions) and all the covers are installed. Do not remove any cover unless the unit has been unplugged. Never look into the unit or place any exposed skin into the illuminated areas when it is operating. Do not operate a unit that has been damaged or missing any components.



The Hallett unit is not intended for use by young children or infirm persons without supervision. Young children should be supervised to ensure that they do not play with the Hallett unit.

Parts Included

- Hallett UV system complete with integral wall brackets (1)
 - Instruction manual (1)
 - Product & warranty registration card (1)
 - Power cord (1) (located within packaging)
 - Transient Voltage Surge Suppressor (TVSS)/Surge Protective Device (SPD)
 - Stainless flexible hoses (2) per system – **Hallett 13**: one ¾" straight hose for bottom (inlet), one ¾" bent hose for top (outlet)
Hallett 30: one 1" hose for bottom (inlet), one 1" hose for top (outlet) (hoses located within packaging)
 - Solenoid valve (1) ¾" for Hallett 13; 1" for Hallett 30
 - Ultraviolet lamps (2) – installed within the unit
 - External dry contact for remote monitoring or optional autodialer.
- Optional - Pre-treatment sediment and or carbon filter to remove water particles, odor or trace chemicals for improved taste.
- Pipe wrap insulation for top hose
 - Cold Air Kit complete with installation instructions

Other Materials Needed

The Hallett requires male NPT fittings for the hose connections and also the solenoid valve (make a note of the size ¾", 1"). These fittings and any piping compatible with the plumbing should be on hand before you begin installation. See Figure 1B and make a list of all necessary components including solder,

Released on 5/1/08 - X800058D

UV Pure Technologies Inc. © 2008

No part of this document may be photocopied, reproduced, transmitted, or translated to another language without the prior written consent of UV Pure Technologies Inc.

For additional info call 1-888-407-9997 or email info@uvpure.com or visit www.uvpure.com

paste and thread sealant. Bypass piping and valves that isolate the unit are optional, as is a drain valve for draining the unit.

Pipe insulation is provided to wrap around the top hose coming out from the unit. Any other piping overhead must also be wrapped to prevent condensation from dripping back onto the unit.

Note: Teflon tape and thread sealant are not required to connect the Stainless flexible hoses to the Hallett or to the plumbing system – the FIP connectors mate with male NPT (National Pipe-Taper) fittings. The rubber washer in each end of the hose provides the seal. Ensure that the washer is in place before making the connection.

Tools Needed

- pipe cutter, torch and other typical plumbing tools for modifying piping
- Wrench for tightening hose connections
- Phillips screwdriver
- Slotted screwdriver

Do not operate a unit that has been damaged or that is missing any components. If a part is missing from your Hallett, contact your dealer.

The installation of the Hallett (see Figures 1A through 1E) should be done in compliance with all applicable federal, state/provincial, and local regulations. We recommend that the unit be installed by a qualified service technician. Failure to install the system properly may result in property damage (leaks/flooding) or personal injury (electrical shock).

The Hallett is intended only for indoor use in a dry location. The unit should not be installed in any drafty areas (that could affect the temperature requirements see pre-treatment requirements page 6). Should these minimum installation recommendations not be met, the system will not operate effectively.

Location (on a wall)

The unit must be positioned vertically on a wall (**the performance of the system will be adversely affected if mounted horizontally**) with the following clearances:

Hallett 13 (See Figure 1A and 1D)

- 14" (36 cm) **above** the unit for lamp replacement
- 12" (30 cm) minimum **below** the unit for service access
- 7" (18 cm) on **each side** of the unit for service access

Hallett 30 (See Figure 1A and 1D)

- 21" (53 cm) **above** the unit for lamp replacement
- 12" (30 cm) minimum **below** the unit for service access
- 7" (18 cm) on **each side** of the unit for service access

The Hallett should be installed downstream of any pre-treatment devices such as filters, water softeners etc and also any pressure tanks. However, it must be installed **upstream of any branches** in the piping so that **all** the water is disinfected before splitting and distributing throughout the home. If the plumbing system has a grounding lug or strap, this should also be upstream from the Hallett, valve or filters. If grounding of the Hallett or plumbing system is in question, please consult your local electrical inspector.

Time Required

Please note that full installation of the Hallett requires shutting off the main water supply for a number of hours. If disinfection is necessary, all pipes must be treated and flushed. Once the unit is plugged in, the new UV lamps may take from a few moments to several hours to reach full power. Having a Lamp Alarm is normal with a new system (or with newly installed lamps) until the lamps have reached full power.

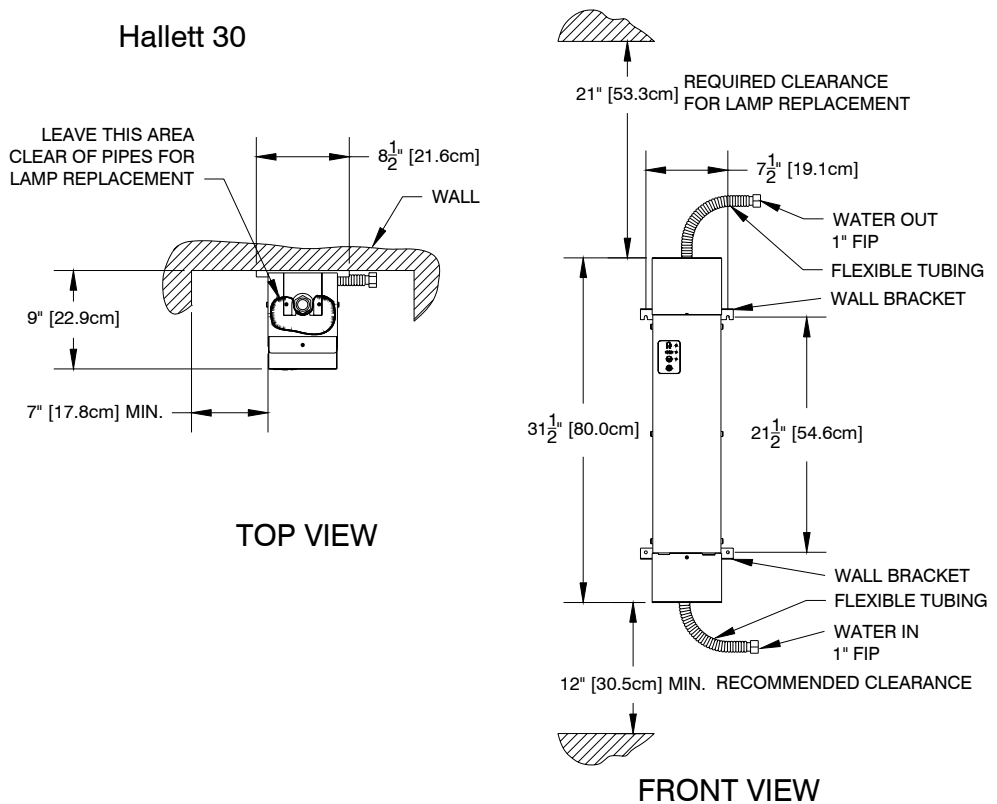
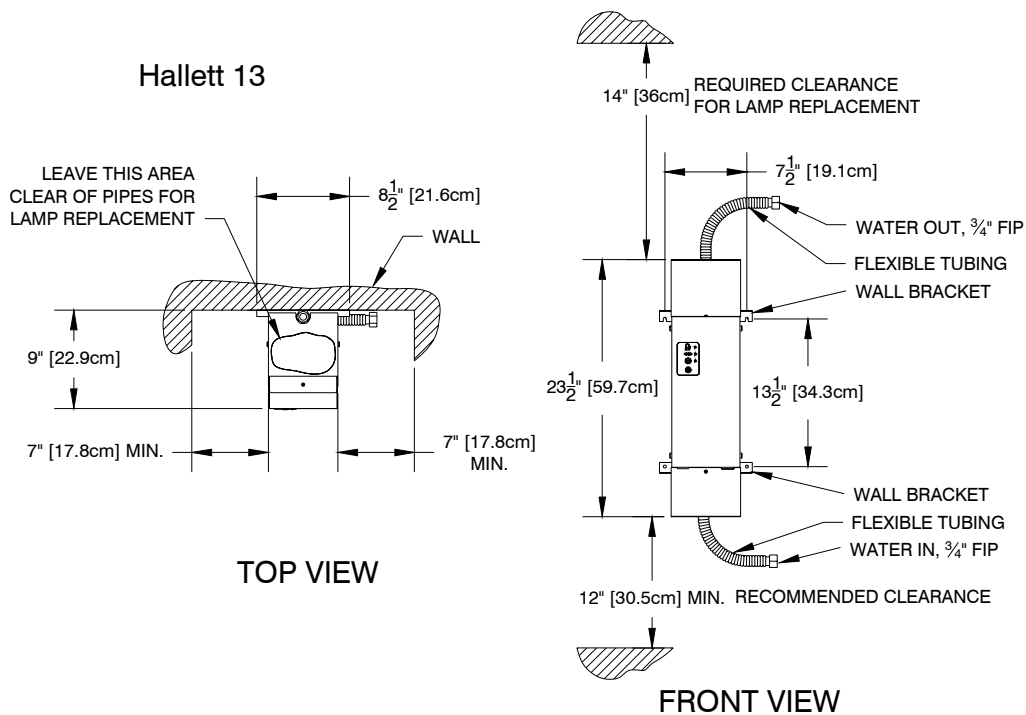
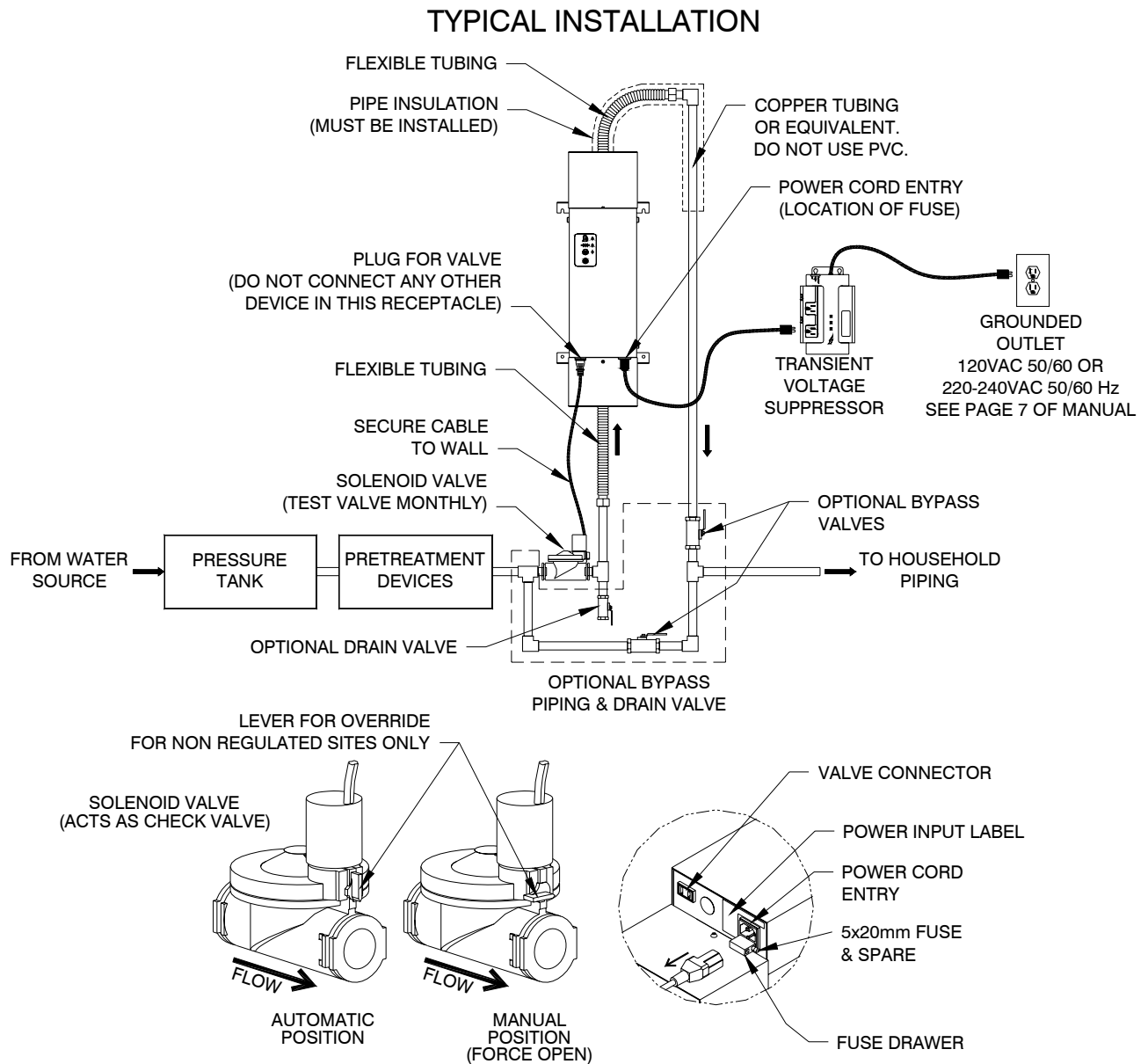


Figure 1A

Assembling the Unit



Step 1: Unpack the unit, being careful to remove all packaging material. Remove the elastic band stretched around the top of the lamps in the unit and wood pieces on wall brackets. Inspect the unit for damage particularly the quartz sleeve – See Figure 4A for disassembly. Tighten any loose fasteners (#16 in Figure 4B)

Step 2: Connect the Stainless flexible hoses to both the top and bottom of the Hallett. Remove the top and bottom covers of the unit to make the connection more accessible. The hose for the top outlet of the Hallett 13 has been pre-bent. The bottom inlet hose is straight. Both hoses for the Hallett 30 are straight. Make

sure that the sealing washer is inside the hose end before making the connection. Tighten securely. Wrap the top hose with pipe insulation.

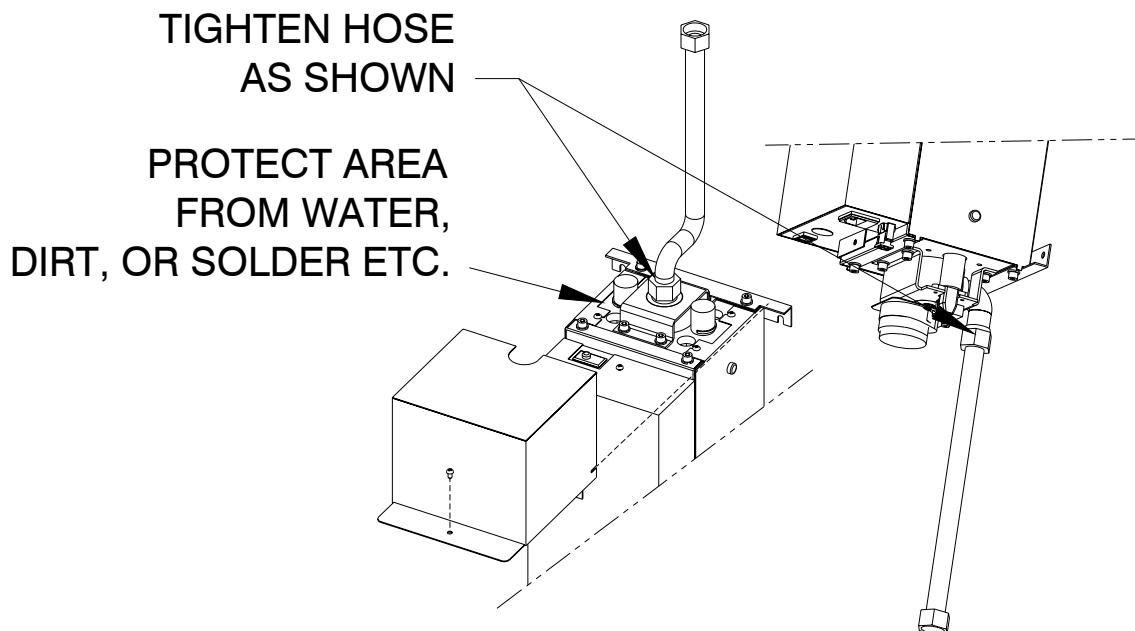


Figure 1C

Step 3: Two wall brackets, with two 1/4" holes each are provided on the unit. **The unit should be secured vertically to a solid wall large enough to cover the complete backside of the unit – See Figure 1D.** Install the top two fasteners (not provided) into the wall, and slide the unit onto them using the slotted holes in the upper brackets. Then install the bottom two fasteners. **Do not** install the unit horizontally. Leave clearance over the unit for lamp removal.

Connecting the Pipes

We recommend that a qualified plumber or certified technician perform the water connections for your Hallett. **Water must flow into the inlet at the bottom of the unit. The outlet is located at the top of the unit.** Install the valve upstream of the unit.

Step 1: Shut off the water supply. **Caution:** Always turn off the water supply before modifying or disconnecting any piping. Always open a faucet after shutting off the water supply to relieve water pressure and ensure that the water has been completely shut off.

Step 2: If you have decided to install an optional bypass line and drain, you may

begin to install these fittings at this point. See Figure 1B for more information on how to connect optional bypass piping and drain.

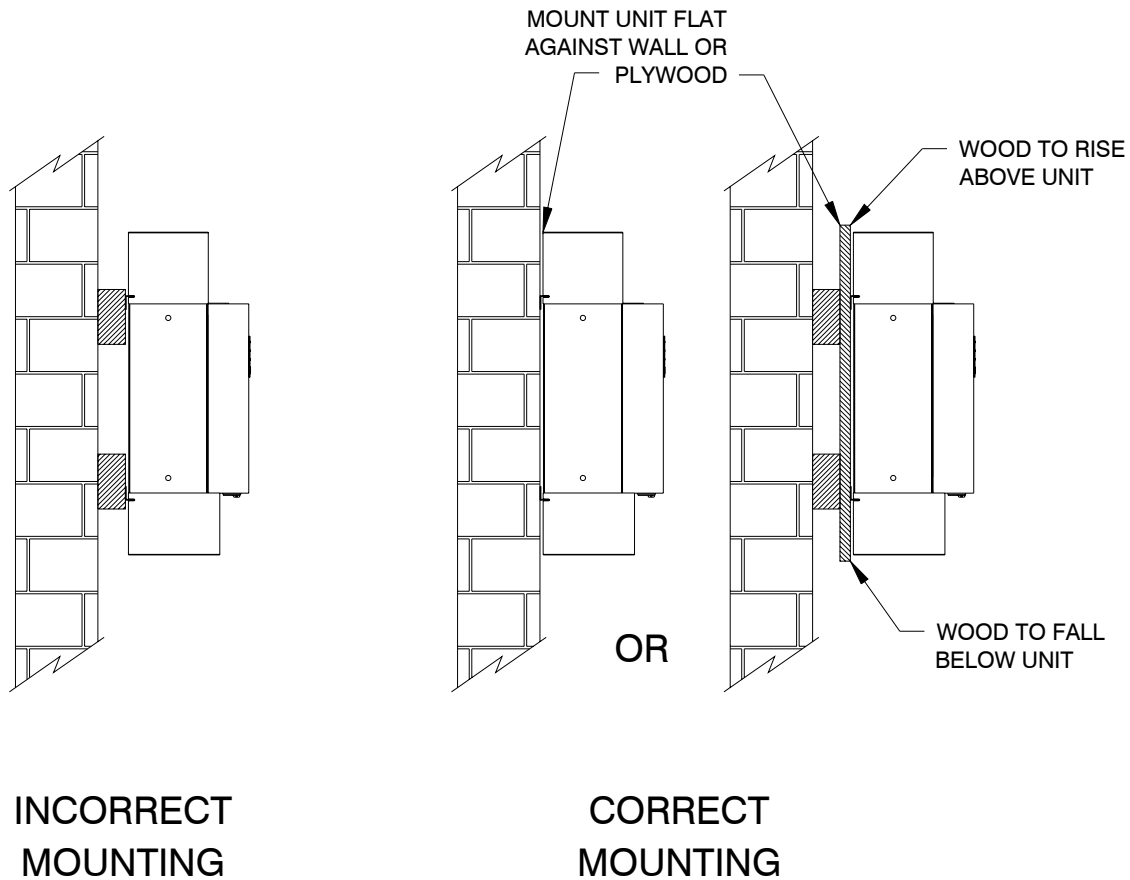


Figure 1D

Step 3: Connect the solenoid valve to the plumbing just upstream of the unit (before the unit). Note the solenoid valve ensures that should the system fail, due to power loss, color in the water or low UV lamp output, the system will fail in safe mode and shut down the flow of water to your tap. The direction of flow through the valve is important – **verify flow direction with label on the valve.** **Caution: over tightening a metal fitting into the valve will cause it to crack. Do not over tighten.** Keep the coil of the valve pointing upward (to prevent water from dripping on it). Water will not flow backwards through the valve.

Step 4: Connect the solenoid valve to the Stainless flexible hose attached to the bottom of the Hallett. Do not bend the hose excessively. Make sure the sealing washer is inside the end of the hose before making the connection. The solenoid valve plugs into a polarized plug at the bottom of the front cover near the power cord. **The valve is a non-serviceable component and nothing else should be plugged into this port.** Secure the cable from the valve to the wall. The solenoid valve is normally closed and must be powered to open. The valve has a manual

override (white lever) that can be used to force the valve open should you require water for service/emergency purposes (note in the event of alarm and shut down it is recommended you boil your water). **In any regulated sites such as municipal applications, the manual override should not be used.** For normal operation, always leave valve in automatic position. Test the valve monthly to confirm valve opens and closes. Unplug valve from unit to confirm water stops flowing.

Caution: Do not allow solder or solder flux to fall in or on the unit.

Step 5: Connect the remaining piping to the top Stainless flexible hose at the top of the unit – **do not use PVC pipe or braided hose.** Make sure the sealing washer is inside the end of the hose before making the connection. Do not bend the flexible hose excessively. Tighten securely. Add pipe insulation to all overhead piping to prevent condensation from dripping onto unit.

Step 6: Caution: do not allow the inside of the unit to get wet. Before opening the water supply, double check all connections and cover the top of the unit with a rag or some plastic to prevent water entry. Close any faucets you opened in Step 1 and then slowly turn on the water supply to check for leaks. If leaks exist, investigate the cause and repair. **Caution:** Do not connect the unit to electrical power until the piping and unit are free of water leaks. The solenoid valve can be placed into manual mode to allow water to enter the unit. Switch back to automatic mode when done.

Step 7: Once the system is checked for leaks, install pipe insulation on the outlet hose and piping to prevent condensation from falling onto or into the unit.

PARALLEL INSTALLATION

When more than one unit is installed in parallel (flow split between units), the units must be installed with manual shutoff valves both upstream and downstream of each unit. This allows one unit to be serviced without interrupting the flow to the other units. Another requirement is the installation of a check valve downstream of the unit (after the unit). This will prevent the backflow of water to a unit. See Figure 1E.

TYPICAL INSTALLATION OF PARALLEL UNITS

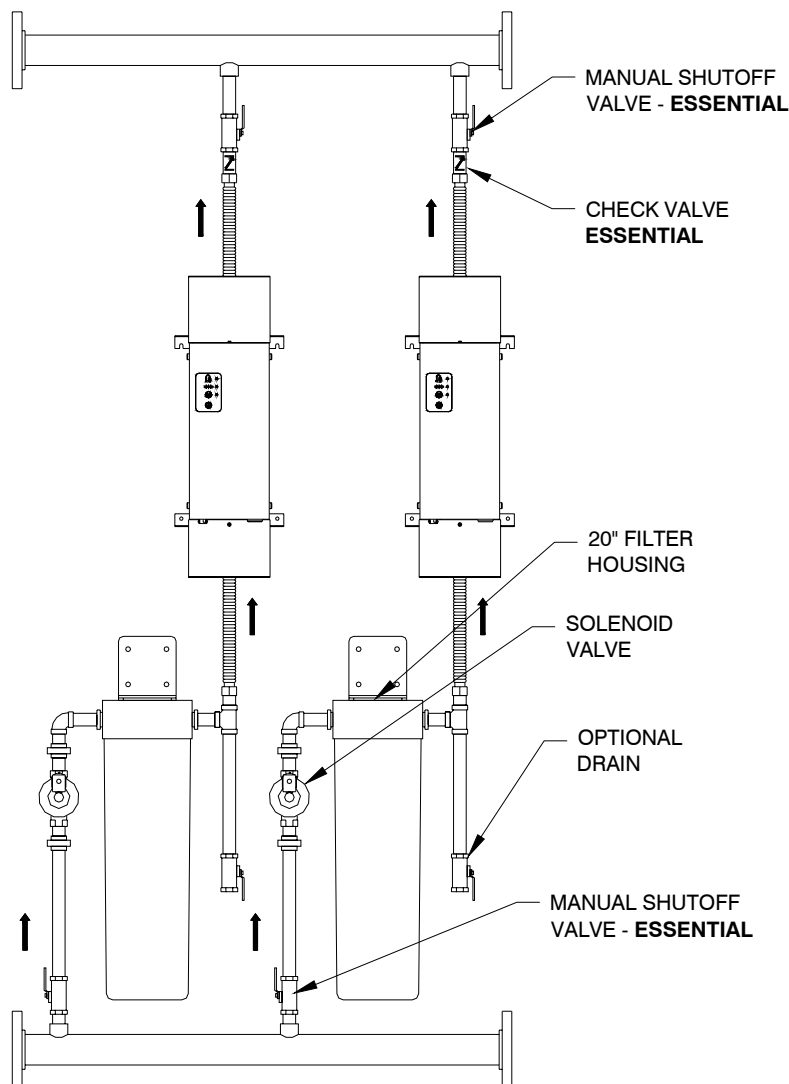


Figure 1E

Plugging in the Hallett

Step 1: Ensure that the covers on the unit have been installed and the unit is securely fastened to the wall. (**Note:** You should not remove any cover unless the unit has been unplugged).

Step 2: Plug the female end of the power cord into the power entry module located on the underside of the front panel. Note that the power entry module contains the only fuse for the unit, which can be accessed by pulling out the sliding fuse drawer. The power cord must be removed before changing the fuse.

See Figure 1B

Connect the male end of the system's power cord into the Transient Voltage Surge Suppressor, supplied with the system, and connect the Transient Voltage Surge Suppressor to a standard grounded electrical outlet.

Caution: Use only a grounded electrical outlet when connecting the unit to a power source. If you do not know whether the outlet is grounded, check with a qualified electrician. If an extension cord is necessary, the cord should contain a ground and be rated for the same amperage as the unit.

Installation is now complete.

Important: after the unit has been operating for a few hours, unplug the unit and check all hose connections for leaks (the top hose in particular). Repeat this procedure periodically.

Proceed to system operation for further instruction to ensure optimal performance.

Flushing Instructions

Flushing the system is required after installation or after any disassembly and cleaning. Flushing may also be required to remove colored water from the unit. Most filters (if installed) also require flushing prior to use – follow the manufacturer's recommendations.

The system may be flushed in two ways. It can be done manually by disassembling the unit and filling and draining the unit by hand (see Cleaning the Unit). Flushing may also be done while the unit is operating. Plug in the unit and open a faucet closest to the unit and run the water for a minimum of 5 minutes.

External Alarm Contacts

The Hallett system provides an external "dry" contact for remote alarms or autodialers – the word "dry" indicates no voltage present at the contact. It can be wired normally open or normally closed. The contact is referred to as a "System Run" condition. The status of the contact changes when the Hallett unit changes from a normal to alarm condition. The contact is meant for control purposes only, not to drive devices. The maximum rating of the contact is 0.5A at 125VAC Max..

There is a knockout provided at the base of the front cover for cable entry. See Figure 1F.

Caution: Unplug the unit before gaining access to do any wiring.

Released on 5/1/08 - X800058D

UV Pure Technologies Inc. © 2008

No part of this document may be photocopied, reproduced, transmitted, or translated to another language without the prior written consent of UV Pure Technologies Inc.

For additional info call 1-888-407-9997 or email info@uvpure.com or visit www.uvpure.com

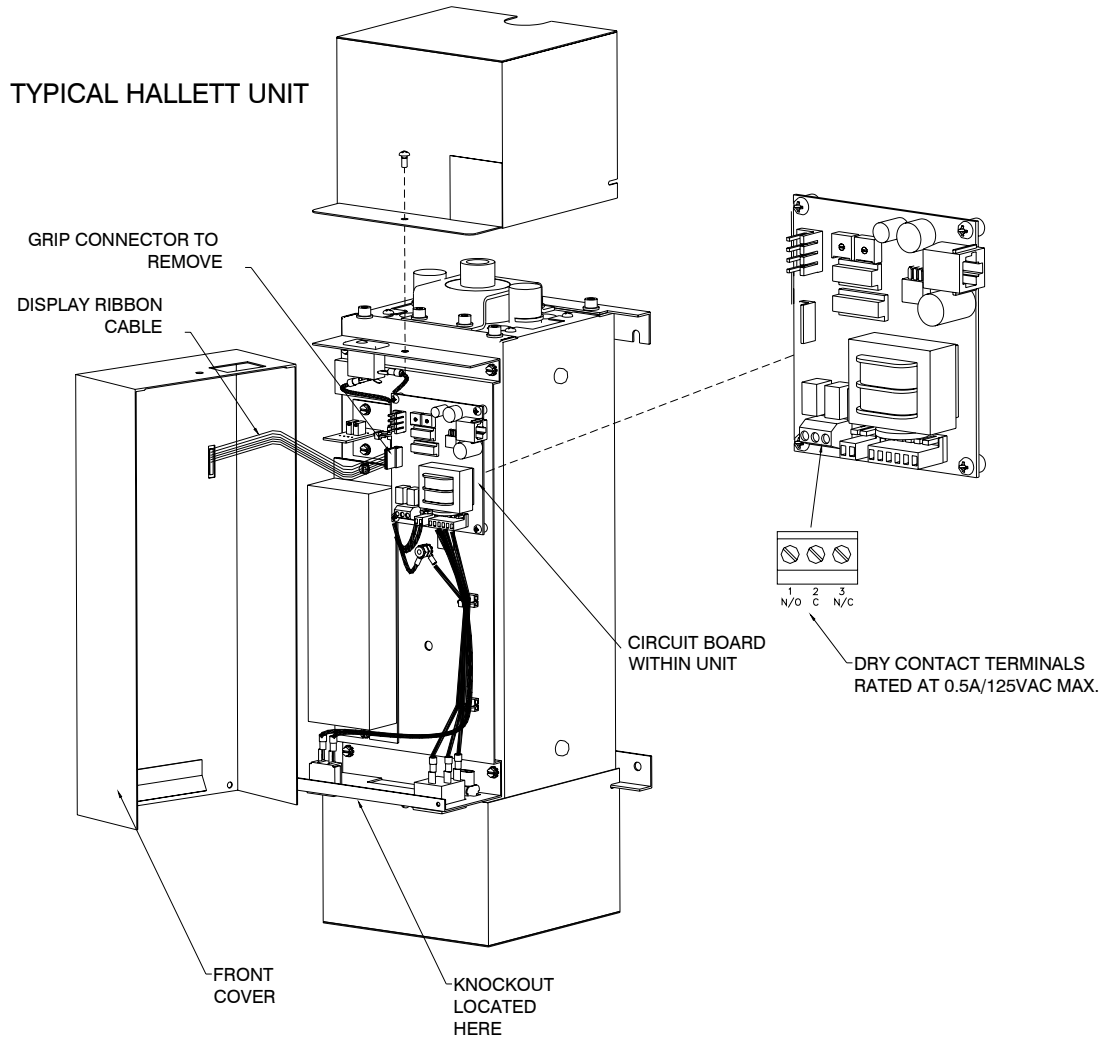


Figure 1F

The front cover must be removed to gain access to external alarm contacts. This is accomplished by removing the screw that secures the top cover. Remove the top cover. Gently remove the front cover and hold it a couple of inches off from the body of the unit. You must disconnect a thin ribbon cable that powers the display lights – be careful not to damage it. Reach in and disconnect the ribbon cable from the circuit board by grabbing the end black connector (never pull on the green cable itself). The front cover will then come free. Proceed with inspection or repair of unit as required.

When complete, replace the front cover by first reconnecting the 6-pin ribbon cable to the port marked 'DISPLAY' (ensure the black connector is aligned properly and **do not miss any pins**). Place the front cover in its rest position.

Replace the top cover and screw it down

Cold Air Kit

If cold room conditions cannot be avoided, the Cold Air Kit should be installed. The kit consists of two cover plates and two lamp insulators. The cover plates are to be placed on the top aluminum plate to cover the convection holes. The lamp insulators are to be wrapped around the bottom of the lamps just below the bottom aluminum plate. See Figure 1G.

If during the summer months the room temperature exceeds 20°C (68°F), the Cold Air Kit may be removed and then reinstalled for winter months only.

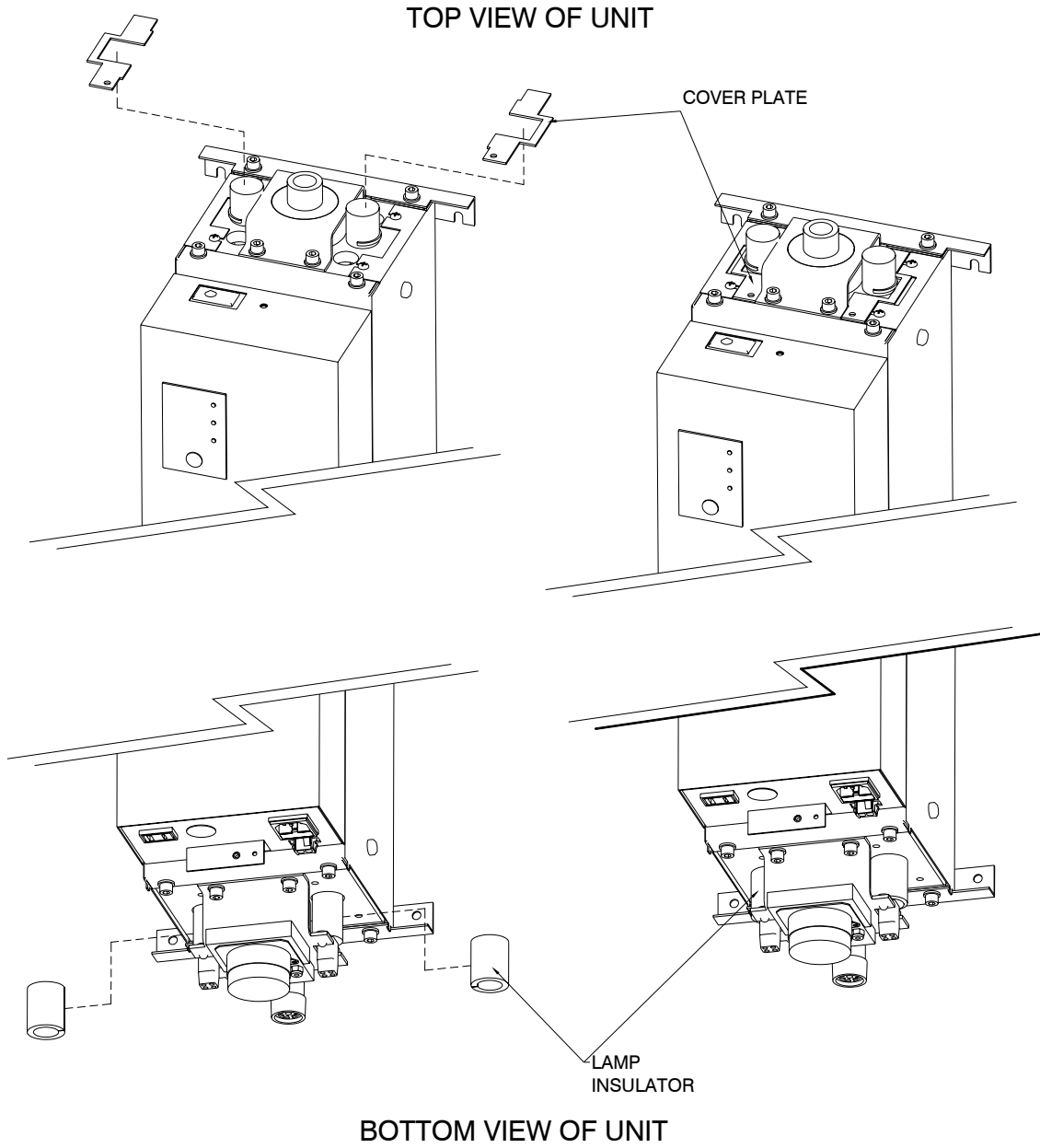


Figure 1G

3. OPERATING INSTRUCTIONS

The Hallett applies advanced Crossfire Technology, yet is simple to operate. With automatic quartz cleaning, periodic shutdowns are not necessary to inspect the cleanliness of the quartz. The only required maintenance is the replacement of the two UV lamps every 12 months (note - if you shut your system down for seasonal use - the lamp life will be extended)

Unit Functions

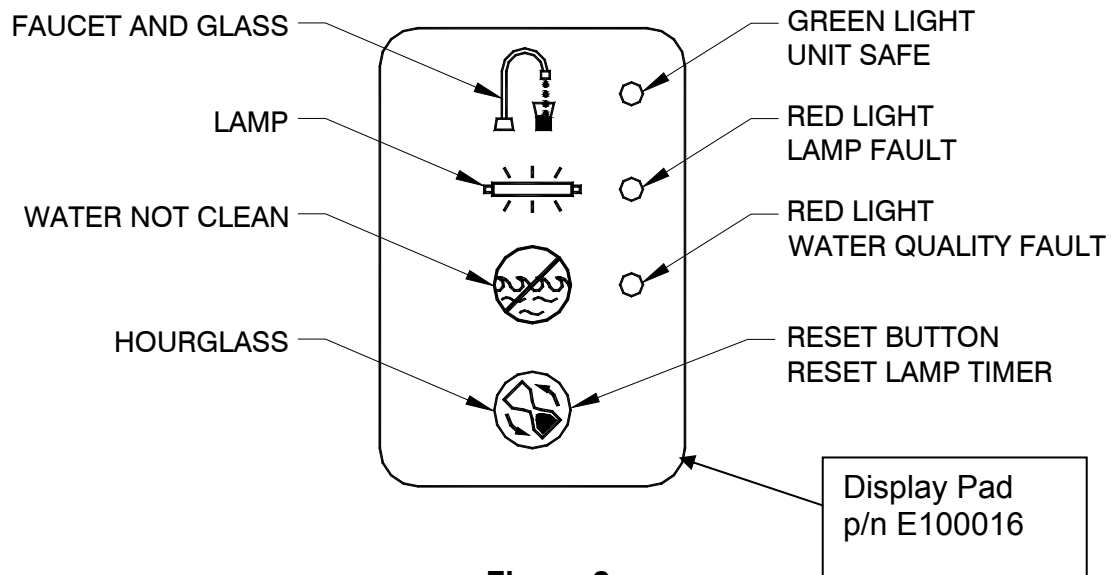


Figure 2

There are three indicating lights and a pushbutton on the front panel. See Figure 2.

- At the top beside the *FAUCET AND GLASS* graphic is a **green light** that, when illuminated, indicates the unit is safe or treating normally.
- In the middle beside the *LAMP* graphic is a **red light** that, when illuminated, indicates a lamp fault.
- Near the bottom beside the *WATER NOT CLEAN* graphic is a **red light** that, when illuminated, indicates a water quality fault.
- At the very bottom under the "Hourglass" graphic is a **reset button** that you will use after replacing lamps (see Lamp Replacement section for more detail.) Pressing the button also silences the audible alarm for 24 hours. Although the audible alarm is off, the red light for the specific alarm will remain illuminated and the solenoid valve will remain closed. Unplugging and plugging in the unit will re-enable the audible alarm.

See Troubleshooting Guide for description of faults.

Starting the Unit

Caution: Do not operate unit dry. There must be water in the treatment chamber to prevent damage to internal components. In the event of a lack of water, unplug the unit until the water supply can be restored. In the event of a power failure, the unit will shut down and the solenoid valve will close, preventing water from flowing. When the power returns, the unit will automatically restart and perform a self-test. If no faults are detected, the unit will return to normal operation and the solenoid valve will open. Note that even during a brownout, the supply voltage may drop low enough to cause the unit to shut down. If the unit does not automatically restart as described above, unplug the unit and plug it in again.

Step 1: Plug the unit into the Transient Voltage Surge Suppressor supplied with the system. Connect the surge protector to a standard grounded outlet. Flip the switch on the Transient Voltage Surge Suppressor to ON position to start the lamps. **Caution:** Never look into or place any exposed skin into the illuminated areas when the unit is operating.

Step 2: Once the unit is plugged in, all three lights will illuminate and an audible alarm will sound. This verifies that the lights and the alarm are functioning. The unit then performs a self-test. During this test, the alarm continues to beep and the solenoid valve remains closed. The green light illuminates when the UV lamps have reached full power and there are no system faults. **New lamps may take from a few moments to several hours to reach full power. Continue to run the unit until the lamps reach full power.** The solenoid valve will then open and allow water to flow through the unit. This is the normal operating mode of the unit. If the unit fails to start, unplug the unit and plug it in again.

The self-cleaning feature of the Hallett system involves a wiper turning inside the quartz sleeve. The wiper operates upon power up of the unit and then periodically afterwards. Pushing the Reset button will also cause the wiper to operate for several minutes.

Seasonal Use and Shutting Down of Unit

Unplug the unit during extended periods of no water usage (four days or more), as in the case of seasonal residences or during a vacation. If the possibility of freezing exists, the unit and any filters must be drained. (See Draining the Unit.) Upon returning, reconnect all fittings, close all valves and turn on water supply. Plug in the Hallett and when operational, flush the water through the unit for at least 5 minutes.

Caution: When the unit is not operating, the solenoid valve remains closed. If the solenoid valve is forced open or if the optional bypass piping is used, untreated water may enter the plumbing system. Emergency use of untreated water is the only situation where the bypass piping should be used. Any water used for

drinking should be boiled. Unplug the unit if the bypass is used. **Do not run the unit dry. This will cause potential damage and scratching of the quartz sleeve.**

Disinfecting the Plumbing

Disinfection of the household or facility plumbing should be performed after the Hallett has been installed and is operating. This procedure should also be done if the unit is not functioning normally, if the bypass has been used, or if there has been a high background bacteria count in a water sample. Disinfecting the plumbing will ensure that any potential bacteria or contaminants in the distribution system are treated prior to system use.

Please note that this procedure is ineffective against protozoa that can be found in surface water or shallow wells under the influence of surface water. Under these circumstances, it is important to perform the disinfecting procedure and then operate the Hallett in combination with a device for cyst reduction, approved under the appropriate NSF/ANSI standard and installed upstream of the unit.

This procedure does not work with sediments or heavy biofilm and encrustations, which must be removed mechanically.

The accepted practice for sanitizing the household or facility plumbing involves adding 50 ppm chlorine from bleach for 12 hours and then flushing. This can be achieved by doing the following:

Step 1: Turn off the unit by unplugging it.

Step 2: Shut off the water supply and relieve the water pressure by opening a faucet.

Step 3: Remove the filter from its housing and fill the housing with bleach.

Step 4: Re-mount the housing (but not the filter) and plug in the Hallett to turn it on.

Step 5: Once the Hallett is operating, turn on the water supply and run water to all faucets (hot and cold), toilets, the washing machine and other water-using appliances – the bleach must fill every inch of plumbing. The Water Quality light may come on after the introduction of bleach. If this occurs, use the manual override on the solenoid valve to keep valve open during procedure. **Return override to auto position afterward.**

Step 6: When you detect the odor of chlorine at each spot, stop running the water and let the bleach remain in the lines for at least 12 hours – **turn off the Hallett unit.**

Step 7: After the waiting period is over, flush every line for at least five minutes or until the odor of chlorine is gone. If you have a septic tank, the water should be flushed to a safe waste disposal site or dechlorinated, not directed into the septic tank.

Step 8: Now that the disinfection procedure is complete you will need to return the filter to its housing. Shut off the water supply, relieve water pressure by opening a faucet, and return the filter to the housing. Allow a few days after a disinfection procedure before getting a sample since residual chlorine may affect the results.

Have the water tested by a local recognized testing agency prior to any water consumption. UV Pure partners with water testing organizations in select locations throughout North America. Contact UV Pure for potential water testing partners: 1-888-407-9997. The testing should be performed on a regular basis as required by local regulations.

Caution: Do not allow corrosive chemicals to remain in the unit for more than 12 hours – Do not operate unit during this time period as heating the water will increase corrosive nature of chemicals.

4. MAINTENANCE

The Hallett will run unattended until a fault arises. If a fault does occur, the solenoid valve will close, preventing water from flowing. The green light will go out, one of the red lights will illuminate, and the alarm will beep. The fault must be corrected to return the unit to normal operation and have the water flow again.

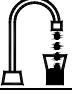
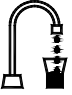

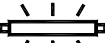

In addition to system faults, there are system warnings. System warnings do not close the solenoid valve. A warning allows the problem to be addressed before the solenoid valve closes. If the warnings are left unattended, a system fault will occur. The alarm will sound when a warning arises, but it can be silenced for 24 hours by pushing and holding the Reset button for one second. The “Lamp” red light will flash during a warning.

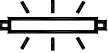

The disinfection of water will occur as long as the unit is properly maintained in accordance with the instructions set out in this manual. Operating a malfunctioning unit or defeating any system sensors may jeopardize the safety of the water. If any system failure occurs and water enters the plumbing system without being disinfected, if the valve has been placed into manual mode, or if the optional bypass is used, any water used for drinking should be boiled. Under these circumstances, the water supply should be disinfected after returning the unit to normal operation.

If water should fall on the unit, unplug the unit and repair leak (or add pipe insulation to prevent condensation runoff). Dry up all remaining water and inspect lamps for water spots and clean if necessary— see section on Replacing and Cleaning UV Lamps. Inspect reflectors for water damage. The reflectors are the shiny semi-circular panels attached to the inside of the side panels. The reflectors may be wiped with a clean soft cloth. If the panels do not come clean or are damaged, they must be replaced.

In the event of an alarm, a physical inspection of the unit with the power off should be done to try to identify a cause. A trouble shooting guide is provided to assist you.

Troubleshooting Guide

System Status	Possible Cause	Corrective Action
Green light on 	Unit safe.	No action required.
Green light on but no water flow. 	Solenoid valve may be installed backwards or has malfunctioned	Check direction of flow on the valve. Unplug and plug in valve to and listen for clicking. Turn manual override lever back and forth several times to see if plunger is stuck.
"Lamp" red light flashing and one beep heard every 5 seconds. Warning Only. Green light on. 	UV output from lamps is dropping. Newly installed lamps have not reached full power. Lamps may be overheated or overcooled.	Push the <i>Reset</i> button to silence alarm, and replace lamps as soon as possible. Push the <i>Reset</i> button for six seconds after replacing the lamps. The unit will now disinfect normally again. Push the <i>Reset</i> button to silence the alarm. Continue to run the lamps for up to several hours. If the situation is not remedied by next day, contact your dealer. Confirm operating temperatures within limits of unit and eliminate drafts or heat as required.
"Lamp" red light flashing and two beeps heard every 5 seconds. Warning Only. Green light on. 	Lamps are approaching the end of their life.	Push the <i>Reset</i> button to silence the alarm. Replace the lamps as soon as possible. Push the <i>Reset</i> button for six seconds after replacing the lamps. The unit will now disinfect normally again.
"Lamp" red light on and one beep heard every 5 seconds. 	UV output from old lamps have dropped below alarm set point. Newly installed lamps have not reached full power.	Push the <i>Reset</i> button to silence the alarm. Replace the lamps immediately. Push the <i>Reset</i> button for six seconds after replacing the lamps. The unit will disinfect normally again and the solenoid valve will open after the new lamps reach full power. Push the <i>Reset</i> button to silence the alarm. Continue to run the lamps for up to several hours. If the situation is not remedied by next day, contact your dealer.

<p>cont'd...</p>	<p>Lamps may be overheated or overcooled.</p> <p>If lamps are not old yet have low UV output, premature expiration may have occurred. Examine lamps for unusual discoloration.</p> <p>Lamps fail to illuminate.</p>	<p>Confirm operating temperatures within limits of unit and eliminate drafts or heat as required. Install Cold Air Kit to improve low temperature performance.</p> <p>Too many starts and stops may have damaged lamps. Contact your dealer. Both lamps & ballast may require replacement.</p> <p>Lamps not fully engaged. Remove and re-insert them. Allow the lamps to cool off before restarting. Ballast may have expired. Contact your dealer.</p>
<p>"Lamp" red light on and two beeps heard every 5 seconds.</p> 	<p>The UV lamps have exceeded their lifetime.</p>	<p>Push the <i>Reset</i> button to silence alarm.</p> <p>Replace lamps immediately. Push the <i>Reset</i> button for 6 seconds after replacing lamps. The unit will now disinfect normally again and the solenoid valve will open.</p>
<p>"Water Quality" red light on and one beep heard every 5 seconds</p> 	<p>The ultraviolet light from the lamps cannot penetrate the water if the water is colored from tannins or other organics. The water may also contain bubbles which can trip the alarm.</p> <p>The ultraviolet light from the lamps cannot penetrate the water if the quartz is fouled.</p> <p>The quartz wipers have stopped turning and are shadowing the UV sensor determining water quality.</p>	<p>Unplug the unit and plug it in again to see if only a temporary situation.</p> <p>If fault has remained, unplug the unit, shut off the water supply, and open a faucet to relieve the pressure. Drain the water into a bucket so that you can inspect it. If the water is not clear, pretreatment with a carbon filter may be necessary.</p> <p>If the water is clear, inspect the quartz for cleanliness. (See <i>Cleaning the Unit.</i>)</p> <p>Determine if wiper motor is operational by pressing the <i>Reset</i> button and listening for it or mark the shaft and run unit for 30 seconds.</p>
<p>No lights on front display or beeping heard.</p>	<p>The unit is not powered.</p> <p>Blown fuse. Ground fault Interrupter (GFI) tripping.</p>	<p>Plug in unit. Check if wall receptacle has power.</p> <p>Check fuse and replace if necessary. Check for water leaks before plugging in unit. A failed wiper motor or solenoid valve may also cause fuse to blow or GFI to trip.</p>

Replacing and Cleaning UV Lamps

The Hallett contains two ultraviolet (UV) lamps that emit high-intensity UV light in the germicidal range, providing effective disinfection of the water flowing through the unit. The lamps in your unit will decay over time and should be replaced every 12 months for optimum performance. Avoid continuously starting and stopping the unit within a 24 hr period, as this will accelerate the aging of the UV lamps (note: however shutting down the system for seasonal use will extend lamp life)

Your unit has an internal timer to keep track of the lifetime of the lamps. It will issue a warning when the end of their lifetime approaches (see Troubleshooting Guide).

The lamps can be replaced in a few minutes. Draining the unit is not required. See Figure 3.

Caution: The lamps in the unit emit ultraviolet (UV) light that can cause permanent damage to the skin and eyes. **Never look at a lamp when it is operating. Always unplug the unit before replacing lamps.**

Caution: Never touch the bulb of a lamp with your fingers. Handle the lamp by its ends only. If the surface of the lamp becomes dusty or dirty, use a clean lint-free cloth and some rubbing alcohol to remove the dirt. For more difficult stains such as water spots, use a scale remover to remove the stain and then rubbing alcohol afterwards. The lamps are fragile and must be handled with care.

Tools Needed

- Slotted screwdriver
- Phillips screwdriver

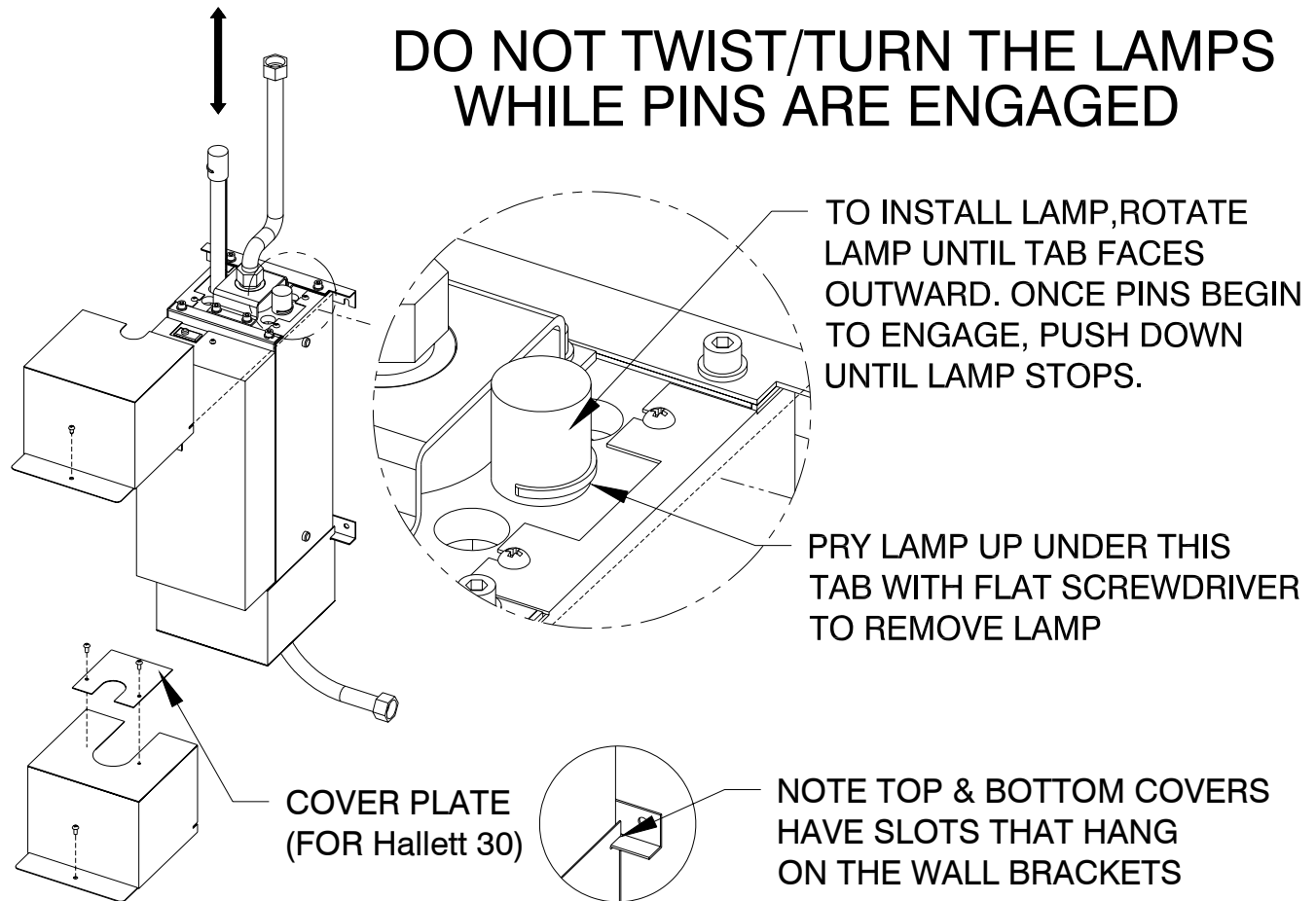


Figure 3

Step 1: Always unplug the unit before attempting to install or replace the lamps. This will close the solenoid valve and temporarily shut off the water supply.

Caution: The lamps heat up after continuous use and can burn your skin if touched. Allow lamps to cool for five minutes before removing them.

Step 2: Remove the top cover by removing the screw.

Step 3: Slowly lift the old lamps out of the unit. **Do not twist the lamps when they are installed.** For assistance in this task, use a flat screwdriver and pry the lamps up (see Figure 3). Dispose of the old lamps in the same way as you would dispose of ordinary fluorescent tubes. Note that old lamps should be disposed of at a household waste management depot or transfer station; contact your local recycling and waste management authority for proper disposal procedures in your area.

If one or both lamps exhibit significant discoloration at their ends, this implies the lamps and ballast have expired. Both lamps and ballast must be

replaced. Operating new lamps with an expired ballast will cause damage to the new lamps.

Step 4: Install the new lamps into the unit, being careful not to touch the bulbs. Align the tab of the lamp to face the outside of the unit, as shown in Figure 3. Once the pins of the lamp begin to engage into the lamp socket, push firmly down on the top of the lamp. **Do not twist the lamps when they are installed.** The lamp will come to rest when the lamp pins are fully inserted into the socket. When pressing down, be sure to position the lamp ceramic end in the centre of the hole in the aluminum top plate. Repeat for the other side.

Step 5: Replace the top cover and screw. Note that the slots on the either side of the top cover must align with the top wall bracket.

Step 6: Record the date of the lamp replacement in your Service Record Sheet.

Step 7: Plug in the unit.

Step 8: Wait for the start-up sequence to end, then push and hold the "Reset" button for six seconds to reset the internal timer – the audible alarm will beep indicating reset acknowledged. **New lamps may take from a few moments to several hours to reach full power. Continue to run the unit until the lamps reach full power.** The solenoid valve will remain closed until the lamps have reached full power.

Draining the Unit

The Hallett does not normally require draining for routine operation or lamp replacement. Draining is necessary to disassemble the system, to protect against freezing, or to remove poor-quality water.

Step 1: Shut off the water supply.

Step 2: Unplug the unit from the electrical outlet.

Step 3: Place a bucket under the unit to collect the water.

Step 4: Open a faucet downstream of the unit.

Step 5: If you have installed the optional drain valve, open the drain valve. If you do not have an optional drain valve, disconnect the Stainless flexible hose below the unit and allow the system to drain for a few minutes.

Step 6: When draining is complete, close the drain valve or reconnect the flexible hose.

Step 7: Close any faucets that were previously opened.

Cleaning the Unit

The Hallett has automatic quartz cleaning and does not normally require disassembly and cleaning of the quartz - the quartz will remain clear and transparent as glass. If a component of the cleaning device fails, such as the wiper motor, or in extreme water cases the quartz may become fouled and require manual cleaning. In this situation the "Water Quality" alarm will arise and alert you to the unsatisfactory conditions. Follow the steps below to inspect the quartz and disassemble the unit for quartz cleaning.

Caution: Always unplug the unit before performing any maintenance. Never operate a unit unless all the covers are installed.

Tools Needed

- slotted screwdriver
- Philips screwdriver
- 3/16" Hex wrench

Determining the Need for Cleaning

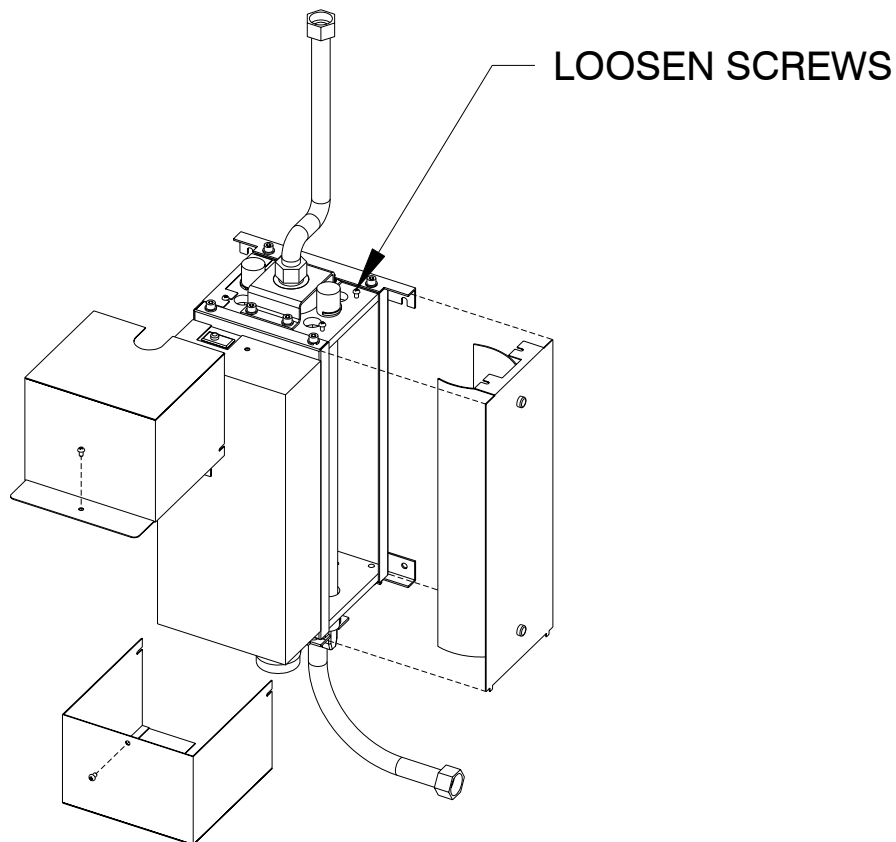


Figure 4A

Step 1: Unplug the unit.

Step 2: Loosen the screws and remove the top and bottom covers.

Step 3: Remove the lamps (see Replacing UV Lamps). Keep the lamps in a safe place.

Step 4: Remove the right-hand cover panel by loosening the two screws on the top fold.

Step 5: Examine the quartz sleeve both inside and out. If it is clean, no disassembly is required. Replace the side panel, lamps and covers. Plug in the unit and operate as normal. If the quartz sleeve is dirty on the outside, proceed to wipe it down with a clean lint-free cloth and rubbing alcohol to remove the dirt. If the quartz sleeve is dirty on the inside, proceed with in-place cleaning or disassembly.

Caution: The quartz sleeve can break or chip if mishandled. Always handle it with care and keep it in a safe place if it is removed from the unit. Do not strike the quartz sleeve with any tool, since even the smallest chip can cause it to break under pressure.

In-place cleaning

This procedure will clean the quartz without its removal from the unit. This is a quick and easy procedure that works well in most cases.

Step 1: Fill a bucket or container with water before shutting off the water supply since you will need the water later to clean the quartz sleeve (3). A squeeze bottle is useful for applying water or cleaning solution to the inside of the quartz sleeve.

Step 2: Open the unit and remove the lamps (see Determining the Need for Cleaning).

Step 3: Place another bucket under the unit and drain the unit until there is about 1" (3cm) of water left in the quartz sleeve (see Draining the Unit).

Step 4: Disconnect the **top** hose from the plumbing side (not the unit side but other end).

Step 5: Add about 2 oz. (60cc) of cleaning solution to the top hose. The cleaning solution can be a citric acid, vinegar or other non-hazardous solutions. **Any solution used should be thoroughly rinsed out afterwards.** Fill the rest of the

quartz with water.

Step 6: Let the cleaning solution remain in the quartz for at least 10-20 minutes.

Step 7: Manually turning the wiper may greatly assist the cleaning process. To do this, remove the motor assembly (see Step 7 in the Disassembling the Unit section) and turn the wiper shaft with a flat-bladed screwdriver (counterclockwise while looking at the shaft).

Step 8: Drain the unit and inspect the quartz sleeve. If clean, flush the unit with clean water. If fouling remains, repeat procedure.

Step 9: Once the unit is clean, reassemble the unit including the motor and top hose connection.

Step 10: Slowly open the water supply and check for leaks.

Step 11: Replace all covers and plug in the Hallett unit.

Disassembling the Unit

NOTE: This procedure is not recommended for individual household users please contact your certified water specialist to assist should disassembly be required.

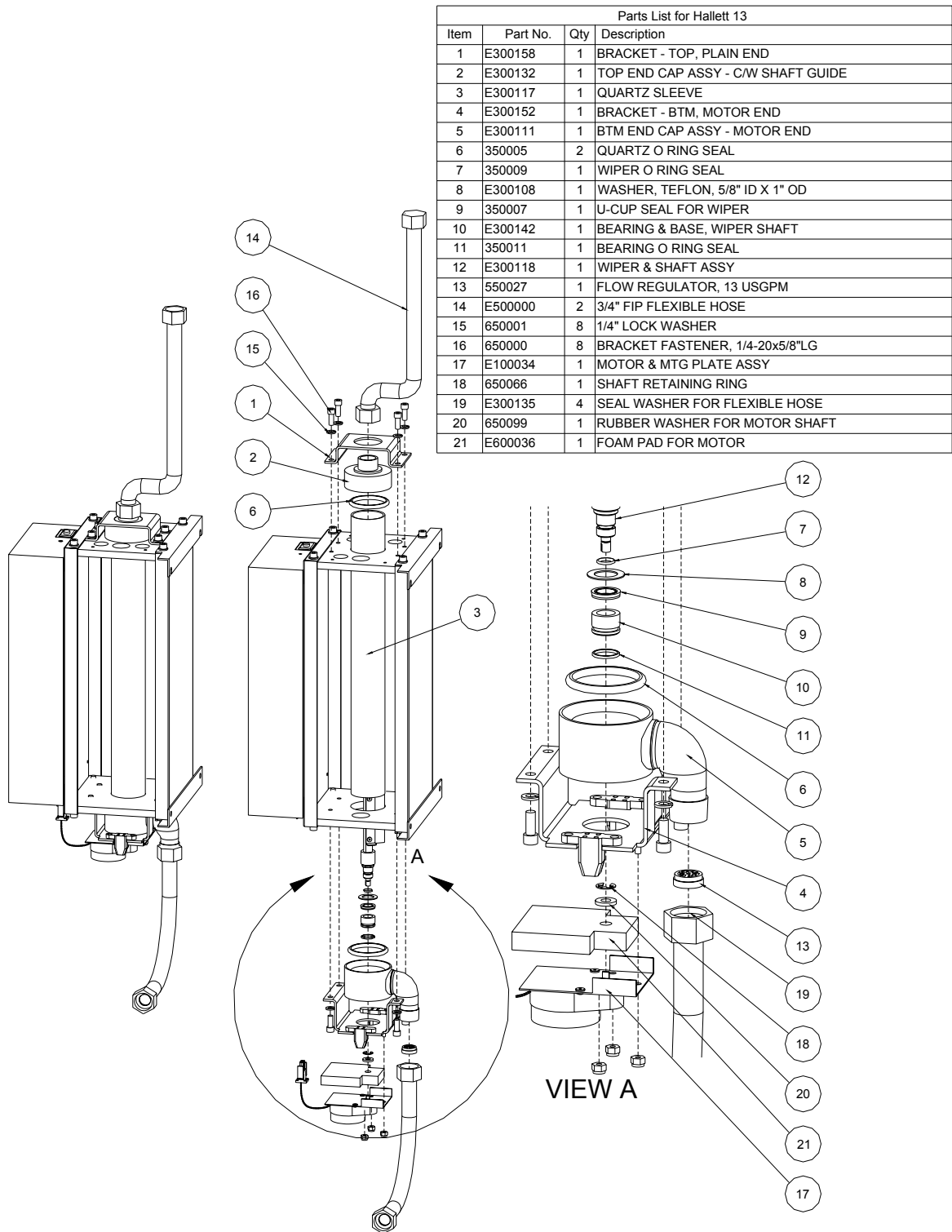


Figure 4B – Hallett 13

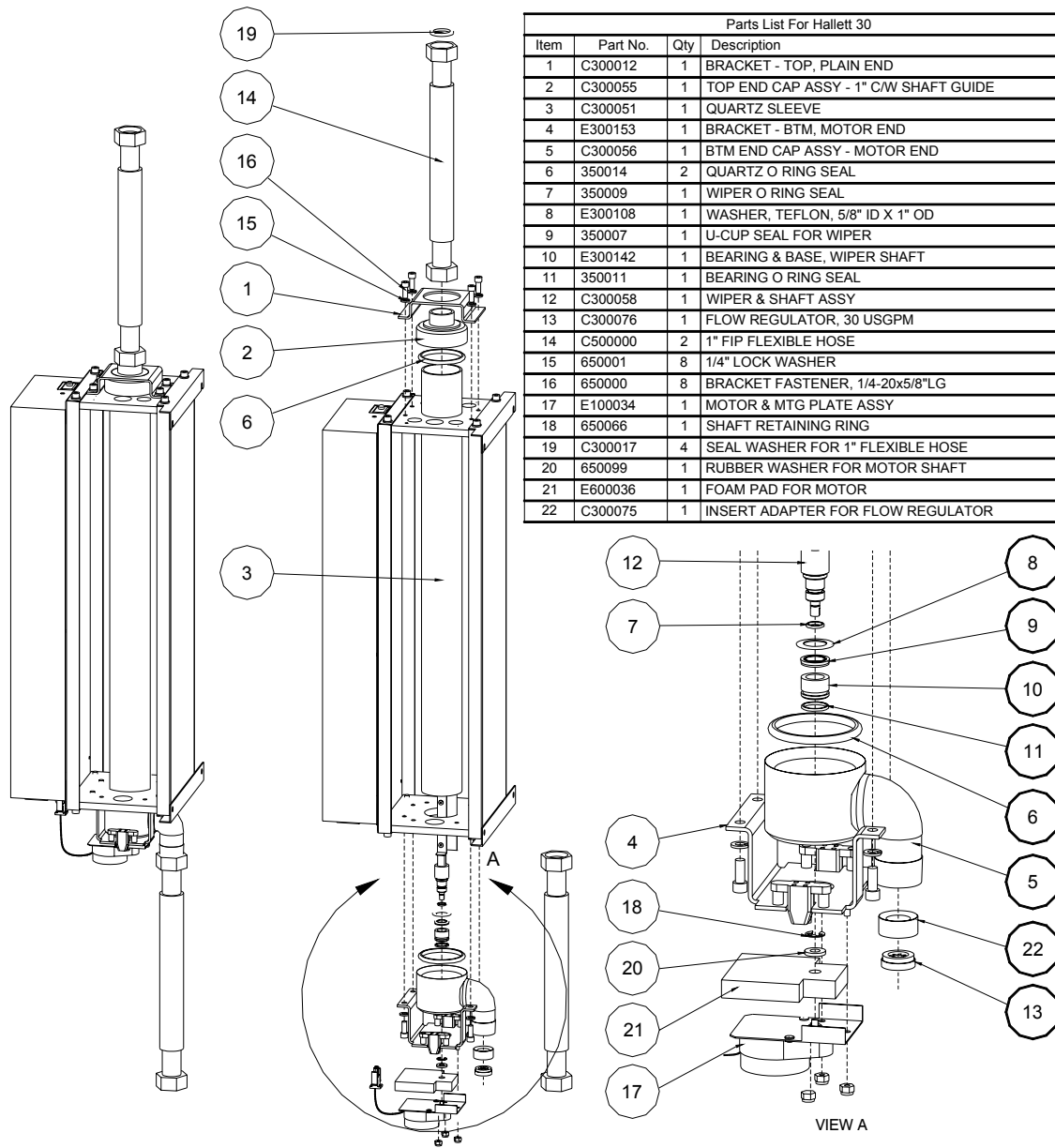


Figure 4B – Hallett 30

Step 1: Fill a bucket or container with water before shutting off the water supply since you will need the water later to clean the quartz sleeve (3). A squeeze bottle is useful for applying water or cleaning solution to the inside of the quartz sleeve.

Step 2: Place another bucket under the unit and drain the unit (see Draining the Unit).

Step 3: Open the unit and remove the lamps (see Determining the Need for

Cleaning).

Step 4: Disconnect the Stainless flexible hose from the top of the unit (14) and remove the top quartz seal assembly.

Caution: Do not damage the sealing surfaces of the end caps (2 and 5) or the shaft of the wiper assembly (12). Handle these parts with care to prevent water leaks.

Step 5: Use the 3/16" Hex wrench to remove the top bracket (1) by undoing the four fasteners in an alternating pattern (top left, bottom right, bottom left, then top right). The bottom bracket does not require removal to clean the quartz, so leave it in place. This will support the quartz sleeve during cleaning and simplify the overall process.

Step 6: Remove the top end cap (2) by lifting it straight up.

Step 7: Disconnect the wiper motor (17) from the bottom bracket (4) by undoing the three nuts. See Figure 4C. Pull off the motor plate and foam pad (21) from the mounting standoffs and unplug the motor. Set the motor aside, holding it by the body, not the wires. **Do not place the motor in any location where it can be exposed to moisture.**

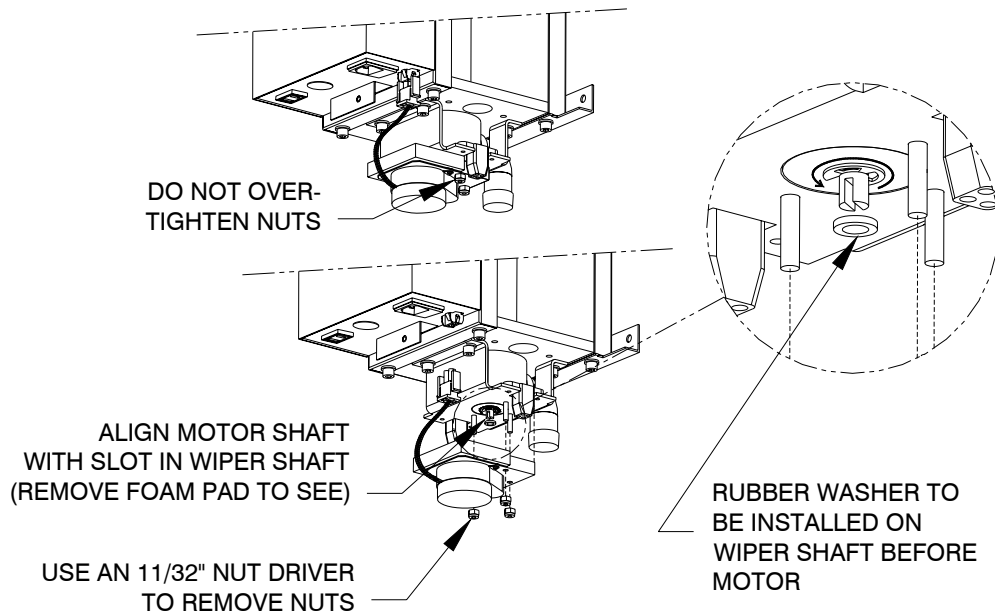


Figure 4C

Step 8: Remove the wiper assembly (12). This is a two-step process. First, remove the rubber washer (20) and shaft retaining ring (18) and place them in a safe place. Second, carefully lift the wiper assembly up out of the quartz sleeve. Pushing up on the round wiper shaft that protrudes through the bottom end cap will help start it to move. Once the wiper assembly is free from the quartz, check

if the U-cup seal (9) is on the wiper shaft and ensure that it does not fall off or get dirty. **Caution: the wiper blades are sharp, handle them with care.**

Cleaning/Removing the Quartz Sleeve

Note that numbers in parentheses refer to Figure 4B.

Step 1: Use a bottle cleaning brush with a long handle to scrub the inside of the quartz sleeve. Scrub and flush it with water repeatedly to clean the quartz. Use a squeeze bottle to apply water or solution to the quartz sleeve to keep the area tidy. **Note: Keep the rest of the unit free from moisture.** Examine the quartz by looking through the unit where the right-hand cover panel has been removed.

Step 2: If the quartz is still dirty, use a scale remover such as CLR or Lime Away and apply it to the inside of the quartz sleeve. Citric acid, available at a drug store, can also be used. **Always flush with clean water afterwards.**

Step 3: Once the quartz is clean, reassemble the unit (see below). Replace any seals that appear to have been damaged.

Step 4: If the quartz is still not clean, it requires replacement. This is done by removing the bottom quartz seal assembly.

Step 5: Remove the bottom Bracket (4) by undoing the four fasteners in an alternating pattern (top left, bottom right, bottom left, then top right). The bottom End Cap (5) will drop as the bracket is removed. Support the quartz sleeve as you remove these two items.

Step 6: Remove the quartz sleeve by removing the top and bottom O rings (6). Lift the quartz sleeve out of the unit.

Step 7: Install the new quartz sleeve into the unit and center it vertically. **Be careful not to chip the ends.** Support the quartz for the next two actions.

Step 8: Replace the top and bottom O rings (6), keeping the quartz centered vertically in the unit.

Step 9: Replace the bottom End Cap (5) and bottom Bracket (4) by installing the four fasteners in an alternating pattern (top left, bottom right, bottom left, then top right) (**lock washers must be installed**). Ensure that the welded elbow is at the backside of the unit. Ensure that the bottom End Cap (5) sits centered in the bottom Bracket (4).

Reassembling the Unit

Note that numbers in parentheses refer to Figure 4B.

Step 1: Replace the wiper assembly (12) carefully in the quartz sleeve. Turn the wiper assembly clockwise (looking from the top) as it is being inserted into the quartz – this will make the task easier and align the wiper blades properly. The shaft must fit through the U-cup seal (9) (the lips of the seal must always face the water side) and protrude outside the bottom end cap (5). The wiper assembly is fully inserted when the groove on the shaft is visible outside the bottom end cap. Replace the wiper retaining ring (18) by inserting it into the grooved area on the wiper assembly shaft. Replace the rubber washer (20).

Step 2: Ensure the quartz O-ring seal (6) is in place around the quartz sleeve and then replace the top end cap (2) by aligning the small hole in the thin plate with the top pin of the wiper assembly (12). This will help center both parts.

ALIGN HOLE WITH PIN

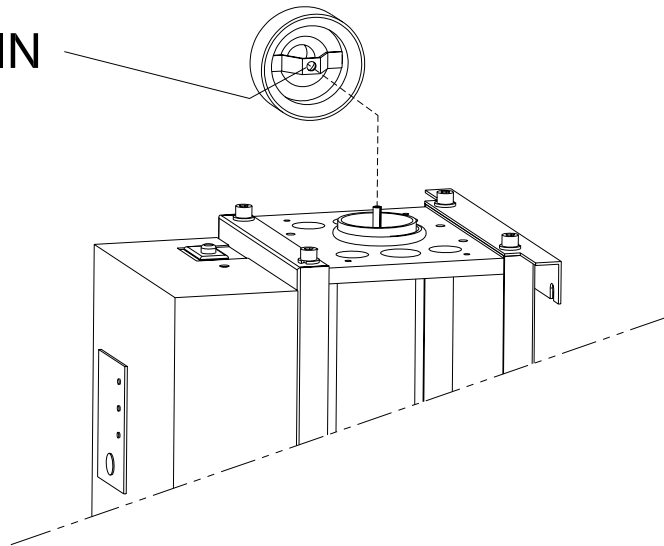


Figure 4D

Step 3: Replace the top bracket (1) over the top end cap (2). The collar of the end cap will fit snugly in the hole in the bracket and align itself. Tighten the fasteners (16) in an alternating pattern (**lock washers (15) must be installed**).

Step 4: Reconnect the wiper motor (17) to the bottom bracket (4). The flat blade on the wiper motor shaft must be aligned with the slot in the round wiper shaft – the wiper shaft can be rotated counter-clockwise to accommodate this. Remove the foam pad in order to see the motor shaft. Once this alignment is done, the motor plate and foam pad can be placed back onto the mounting standoffs and secured with the three nuts. The nuts are self-locking, engage them until motor mounting plate comes to rest on the bottom Bracket (4). **Do not over tighten.**

Step 5: Reconnect the flexible hoses (14), both top and bottom.

Step 6: Close any faucets and open the water supply. Inspect for leaks. The solenoid valve can be placed into manual mode to allow water to enter the unit. Switch back to automatic mode when done. Repair any leaks if necessary.

Caution: Do not operate the unit if there are any leaks at the piping connections or within the unit.

Step 7: Reinstall the right-hand cover panel. Ensure the cover panel is completely flat against the body of the unit before tightening the screws.

Step 8: Replace the lamps.

Step 9: Reinstall the top and bottom covers.

Step 10: Plug in the unit.

Step 11: Make an entry in the service record to establish a cleaning schedule.

Replacement Parts

Use only genuine UV Pure parts when servicing your Hallett.

Hallett 13

Part Description	Part No.
UV lamp	E300151 - use p/n E300165 to order a pair
3/4" Stainless flexible hose (straight)	E500000
3/4" Stainless flexible hose (pre-bent for top)	E500004
Fuse 120Vac Model	150015
Fuse 220-240Vac Model	150158
Electronic ballast	X100010
UV Sensor Array	E100043
Quartz Sleeve Kit	E300173 (Contains one E300117, two O-ring seals 350005)
Quartz O-ring seal	350005
Reflector Assembly	E300125
Seal washer pair, flexible hose	E500019 (Contains two E300135)
U-cup seal for wiper	350007
3/4" Solenoid valve assembly	550054
Wiper O-ring seal	350009
Wiper motor Replacement Kit	E100042 (Contains one E100034)
Seal Kit	E500011 (Contains 350007, 2 x 350005, 350009, E300108, 2 x E300135, 650066, 650099)
Transient Voltage Surge Suppressor 120V systems	150207

Hallett 30

Part Description	Part No.
UV lamp	C300064 - use p/n C300065 to order a pair
1" Stainless flexible hose	C500000
Fuse 120Vac Model	150015
Fuse 220-240Vac Model	150158
Electronic ballast	X100010
UV Sensor Array	C100006
Quartz Sleeve Kit	C300067 (Contains one C300051, two O-ring seals 350014)
Quartz O-ring seal	350014

Reflector Assembly	E300084
Seal washer pair, 1" flexible hose	C500009 (Contains two C300017)
U-cup seal for wiper	350007
1" Solenoid valve assembly	550055
Wiper O-ring seal	350009
Wiper motor Replacement Kit	E100042 (Contains one E100034)
Seal Kit	C500008 (Contains 350007, 2 x 350014, 350009, E300108, 2 x C300017, 650066, 650099)
Transient Voltage Surge Suppressor 120V systems	150207

Replacement parts and Service are available from your dealer or

UV Pure Technologies Inc.

60 Venture Drive, Unit 6
Toronto, Ontario, Canada
M1B 3S4
416-208-9884, 1-888-407-9997
FAX 416-208-5808

Date of Purchase:

Dealer Name:

Model: Hallett 13 or Hallett 30

Serial Number (located on the side of the front panel):

Manufactured by: UV Pure Technologies Inc.
60 Venture Drive, Unit 6
Toronto, Ontario, Canada
M1B 3S4
Phone: 416-208-9884
Toll Free (USA & CDA) 1-888-407-9997
Fax: 416-208-5808
email inquiries: safe@uvpure.com
www.uvpure.com

5. SERVICE RECORD SHEET

Record lamp replacement dates and events in the space provided below.

Date (MMM/DD/YYYY)	Action
	System Installed

6. UV PURE TECHNOLOGIES LIMITED WARRANTY

Limited Warranty for UV Pure Technologies'® water purification systems and peripheral parts purchased in Canada, the United States, Australia, and New Zealand.

What this warranty covers:

Defects in materials and workmanship in Products and Parts manufactured, sold or certified by UV Pure Technologies Inc. (UV Pure) including Hallett® systems, Upstream® systems and parts such as replacement UV lamps, solenoid valves and other components sold or certified by UV Pure Technologies Inc.

What the period of coverage is:

Five-year Limited Warranty for structural, hardware, and mechanical components. Specifically, this includes the following Parts: system casing (powder coated steel parts, machined and extruded aluminum parts, stainless steel parts, and ABS components), stainless steel manifolds, stainless steel self-cleaning mechanism, mechanical fasteners, and stainless steel flexible connector hoses.

Three-year Limited Warranty for electrical components and quartz sleeve. Specifically, this includes the following Parts: wiper motor, muffin fan, blower, ballast and micro-processor with digital display, purge valve, solenoid valve, wiring harnesses, lamp sockets, and remote monitor (excluding any battery if included)

One-year Limited Warranty, on a pro-rated basis, for lamps and sensor probes. Specifically this includes the following Parts: UV lamps, UV sensors, and the circuit board they are mounted in, and temperature probes. If a lamp or sensor replacement Part at current price reduced by the fraction of the year (as set out below) during which the Part was in operation without defect.

- If the Part fails within 90 days it will be replaced or repaired at no charge.
- If the Part fails after 90 days and before 181 days, it will be replaced or repaired at one-quarter of the then current Manufacturer's Suggested Retail Price (MSRP).
- If the Part fails after 180 days and before 271 days, it will be replaced or repaired at one-half of the then current MSRP.
- If the Part fails after 270 days and before 365 days, it will be replaced or repaired at three-quarters of the then current MSRP.

Ninety-day Limited Warranty or Balance of Original Warranty for replacement Parts or Products. Specifically this includes any Parts or Products replaced or

repaired under this Limited Warranty, and any Parts purchased for routine service or maintenance including UV lamps. This warranty period is for the balance of the original warranty or for 90 days from the date the Product or Part is repaired and/or returned to the first end-user whichever is longer.

Who is covered:

This Limited Warranty extends to you only if you are the FIRST END-USER PURCHASER and with respect to the ORIGINAL INSTALLATION.

What we will do to correct problems covered by this Limited Warranty:

During the warranty period, as set out above, UV Pure will repair or replace Products or Parts, at its sole discretion and cost, with the exception of shipping and handling charges. Replacement parts or systems may be functionally equivalent reconditioned/refurbished/pre-owned or new products or parts at UV Pure's sole discretion. UV Pure may provide software updates, at its discretion, but is under no obligation to do so. Based on an agreement between UV Pure and its service providers, Certified Service Dealers, this warranty will be honored by either UV Pure or a Certified Service Dealer.

How to get help:

Call a Certified Service Dealer (CSD) or UV Pure's Customer Service toll free line: 1-888-407-9997. A complete list of Certified Service Dealers and their coverage areas is available on UV Pure's website: uvpure.com.

What this Limited Warranty does NOT cover:

Maintain your original PROOF OF PURCHASE. UV Pure or its Certified Service Dealers reserve the right to deny warranty coverage if you cannot provide proof of original purchase including date of installation, who you purchased the Product or Part from, and serial number. We highly recommend that you register the Product on purchase by either returning a completed Warranty Card to UV Pure or registering your purchase on line at uvpure.com

UV Pure is not responsible for Parts or Products that are improperly installed, used or not maintained as set out in the Product Manual or as expressly advised by UV Pure. This Limited Warranty does not cover damage caused by accidents, acts of God, minor scratches or imperfections and normal wear and tear including faded paint or minor corrosion due to atmosphere conditions. This Limited Warranty is void if the Product is improperly installed, used in conditions that exceed UV Pure's specifications as set out in the Manual or Product Specifications, or if there is water damage due to improper installation or poorly or improperly tightened plumbing connections. This Limited Warranty is void if the Product or Parts have been altered or modified in any way by anyone other

than a UV Pure technician or a Certified Service Dealer. Warranty coverage may be void if the Product is operated in combination with ancillary or peripheral equipment not approved by UV Pure for use with Products.

Installation of a Transient Voltage Surge Suppressor (TVSS)/Surge Protective Device (SPD) that has been certified to the UL 1449 standard or equivalent by an NRTL/C and includes integral Over/Under Voltage shutoff protection between the system and a grounded power outlet is required.

This Limited Warranty excludes the cost of labor in removing and/or reinstalling any defective Product or Part. In the event that a Product is returned to UV Pure for repair or replacement under the terms of this Limited Warranty, the Product must be returned in its original shipping container and packaging. UV Pure will not be liable for damage to the Product during shipping otherwise.

UV Pure does not assume any liability for personal injury or property damage caused by the use or misuse of any Product or Part. UV Pure is not liable for special, incidental, indirect or consequential damages. UV Pure's liability is limited to repair or replacement of the defective Part or Product and this liability shall terminate upon expiration of the applicable warranty period as set out above.

This Limited Warranty may be amended or changed at any time, at UV Pure's sole discretion, without notice.

7. NSF STATEMENT



System Tested and Certified by NSF International against NSF/ANSI Standard 55 for Disinfection Performance, Class A.

Who is the NSF? The NSF is the global gold standard accepted by environmental regulatory agents worldwide for water treatment and disinfection.

This Class A system conforms to NSF/ANSI 55 for the disinfection of microbiologically contaminated water that meets all other public health standards. This system is not intended to convert wastewater or raw sewage to drinking water. The system is intended to be installed on visually clear water.

NSF/ANSI 55 defines wastewater to include human and/or animal body waste, toilet paper, and any other material intended to be deposited in a receptacle designed to receive urine and/or feces (blackwaste); and other waste materials deposited in plumbing fixtures (greywaste).

If this system is used for the treatment of untreated surface waters or ground water under the direct influence of surface water, a device found to be in conformance for cyst reduction under the appropriate NSF/ANSI Standard must be installed upstream of the system.

The information contained in this document is subject to change without notice. UV Pure Technologies Inc. shall not be liable for errors contained herein or for consequential damages from improper installation or operation of this unit.